

Object: Data sheet item 81032AB



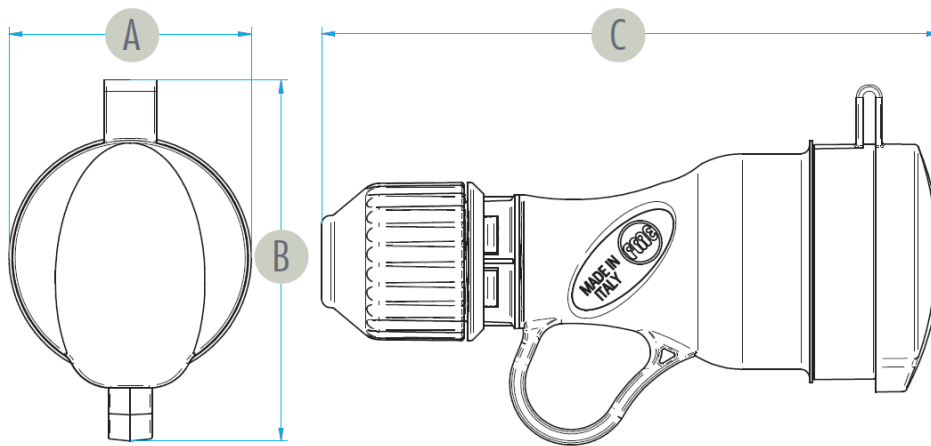
Antibacterial German standard socket HI-PRO 2P+E 16A with cover IP44

- German standard trailing socket HI-PRO
- Quick-active cable clamp MAX 3G2,5 H07RN-F
- Rubber made cover IP44
- Nominal current: 16A
- Protection degree: IP44
- Poles: 2P+E
- Usage frequency: 50/60Hz
- Nominal voltage: 250V~
- Colour: black
- CE, MADE IN ITALY marking
- Manufactured in technical polymer high resistant to heat, shocks and oils
- Eye loop to easily hang the connector up
- Packaging: single bag
- Net Weight 100 g

**MANUFACTURED WITH SILVER IONS ADDITIVES
WHICH GUARANTEE AN ANTIBACTERIAL ACTIVITY**

FANTON S.p.A.

Società soggetta a direzione e coordinamento da parte di Fa.Mi. srl



Codice	A	B	C
81032	55	82	136

Fanton spa reserves the right to change and update the product at any time and without warning.

Date: 06/08/2020

Revision: 0

FANTON S.p.A.

Società soggetta a direzione e coordinamento da parte di Fa.Mi. srl

Viale dell'Industria, 8/10
35026 CONSELVE (PD) ITALY
Web: <http://www.fanton.com>
info@fanton.com

P.I./VAT - IT 02353470285
Tel. +39.049.95.97.911
Fax+39.049.95.00.311
amministrazione@pec.fanton.com